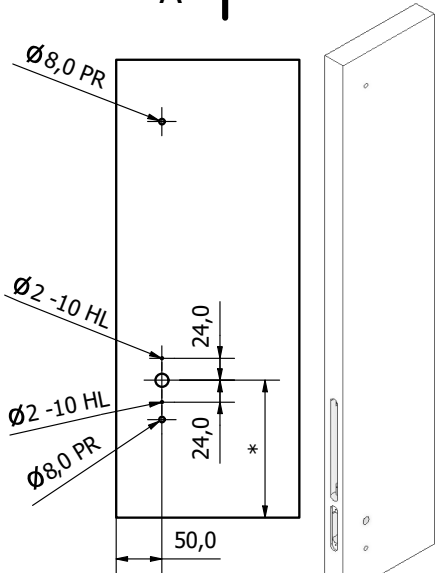
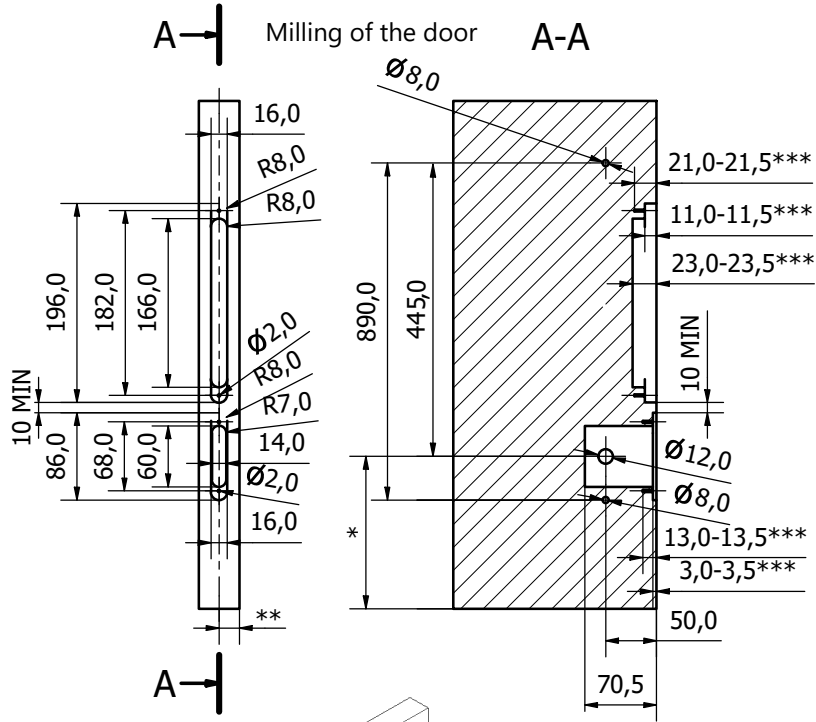
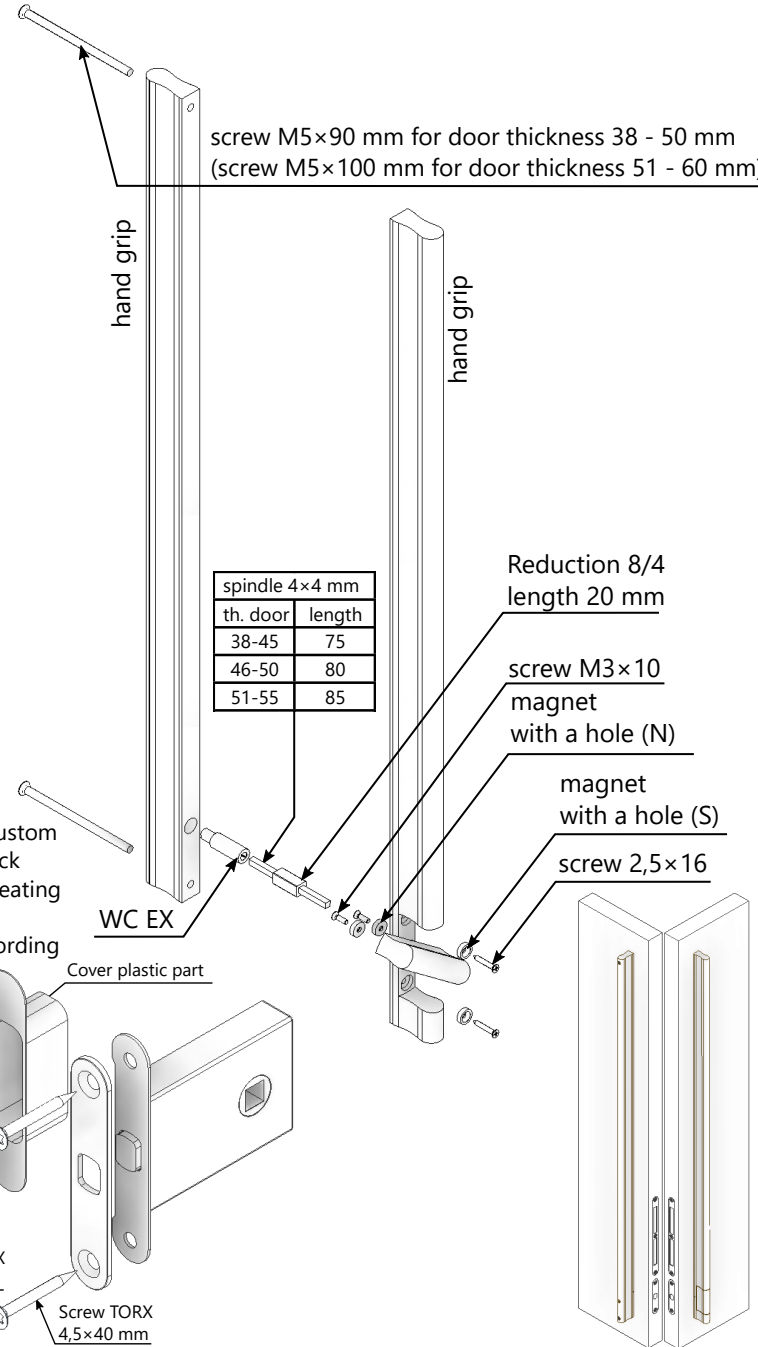
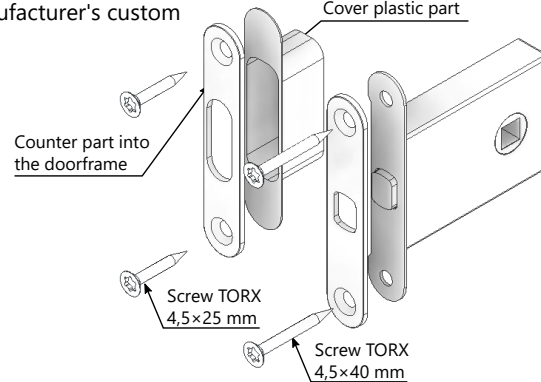


# MOUNTING HAND GRIP YES! 910 WC



\* according to the door manufacturer's custom  
 \*\* fitting / positioning of the Magnetic block in the door must be solved following the seating of the Magnetic in the door frame  
 \*\*\* placing of the magnetic block face according to the door manufacturer's custom



component	quantity
hand grip Yes! WC IN	1 pc
hand grip Yes! WC EX	1 pc
WX EX Yes!	1 pc
spindle 4x4 mm	1 pc
reduction 8/4 mm, l. 20 mm	1 pc
magnet with a hole 3x10 (S)	2 pcs
screw M5x90 mm (screw M5x100 mm)	2 pcs
screw 2,5x16 mm	2 pcs
WC lock	1 pc
cover lock plate	1 pc
counter plate into doorframe	1 pc
cover plate plastic	1 pc
screw Torx 4,5x25 mm	2 pcs
screw Torx 4,5x40 mm	2 pcs