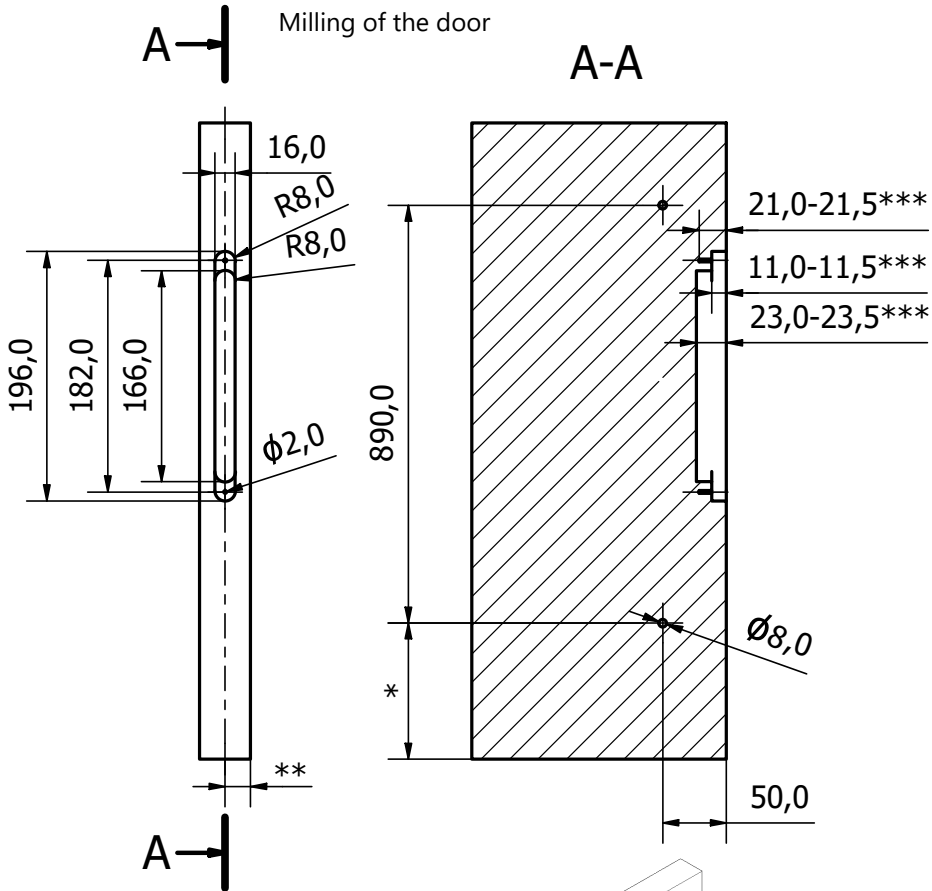
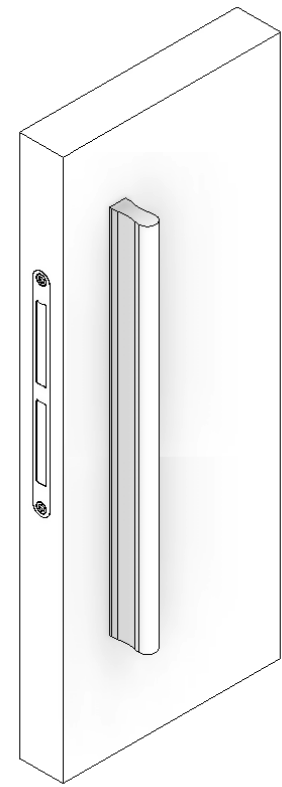
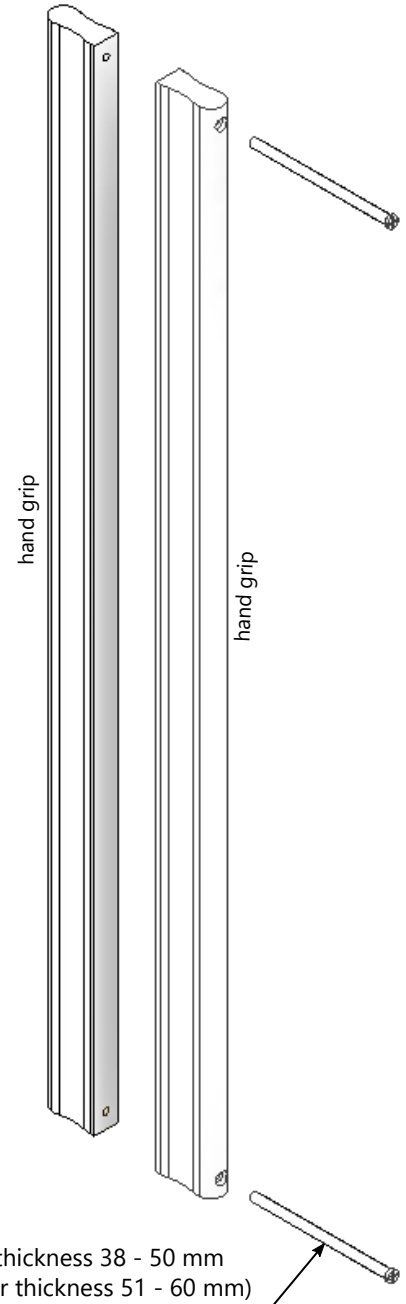


MOUNTING HAND GRIP YES! 910



component	quantity
hand grip Yes! IN	1 ks
hand grip Yes! EX	1 ks
screw M5×90 mm (screw M5×100 mm)	2 ks



* according to the door manufacturer's custom
 ** fitting / positioning of the Magnetic block in the door must be solved following the seating of the Magnetic in the door frame
 *** placing of the magnetic block face according to the door manufacturer's custom

screw M5×90 mm for door thickness 38 - 50 mm
 (screw M5×100 mm for door thickness 51 - 60 mm)